

## CHANGING YOUR CODE

### ALWAYS PERFORM THIS OPERATION WITH THE DOOR OPEN

- ① Enter "zero" six times.
  - ② Enter your existing six (6) digit code one time.
  - ③ Enter your NEW six (6) digit code two times.
  - ④ If a mistake is made wait thirty (30) seconds and repeat steps ① - ③.
  - ⑤ Test lock operation several times before closing the door.
- **Valid Code Entry** - Double signal after valid six (6) digit code is entered.
  - **Invalid Code Entry** - Triple signal and old code is still valid.

## BATTERY LOW WARNING

- Repeated beeping during an opening indicates that the battery is low and needs immediate replacement.
- Uses two (2) 9-Volt Alkaline Battery. LA GARD recommends the use of Duracell or Eveready Alkaline batteries. LA GARD recommends the replacement of batteries at least once annually.

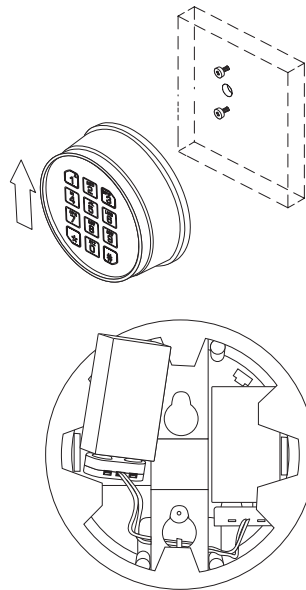
*If battery is depleted and will not allow lock to open, simply follow Instructions below. Lock contains a non-volatile memory, even with batteries removed the lock will retain all programming.*

## CHANGING YOUR BATTERY

- ① Slide the keypad housing up and carefully pull away from mounting surface to expose battery compartment.
- ② Remove one (1) 9-Volt Alkaline battery and replace with new one.
- ③ The connector is easily removed by unsnapping it from the two terminals on the top of the battery.

**CAUTION!** Hold onto battery terminal pad to avoid pulling wires out of housing.

- ④ Repeat procedure for second battery.
- ⑤ Carefully position the keypad over the mounting screws and slide the keypad housing down. Ensure that there are no wires or cables trapped between the input pad and the safe door. Pinched cables can result in a short circuit.



# SAFEGARD

## 3000 Electronic Entry Device

### USER OPERATING INSTRUCTIONS

*Please see Manager Instructions for additional features that may be activated on your unit.*

## FEATURES

### USER CODE

- Open Lock
- Change Code

### WRONG TRY PENALTY

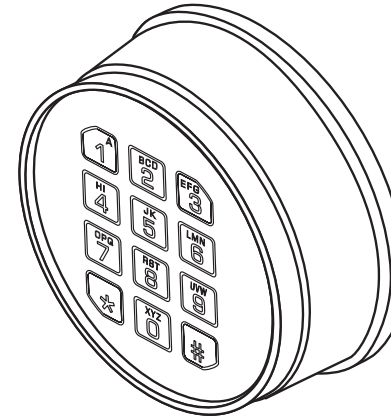
- Four (4) consecutive invalid codes initiates five-minute delay period.

### LOW BATTERY WARNING

- Repeated audio and visual signal (LED flashing and repeated beeping) during opening indicates battery low.

### AUDIO AND VISUAL SIGNAL

- Double signal (LED flashes and unit beeps) indicates entry is valid or accepted.
- Triple signal indicates invalid or not accepted.



## OPENING THE LOCK

- ① Enter valid six (6) digit code.
  - ② The lock will indicate a valid code entry with a double signal.
  - ③ Within four (4) seconds, turn handle to the open position.
  - ④ Pull door open.
- **Invalid Code Entry** - Lock will signal three (3) times.

## WRONG TRY PENALTY

- Entry of four (4) consecutive invalid codes starts a 5-minute delay period.
  - LED flashes red at ten (10) second intervals.
- At the end of the delay period, two more consecutive invalid codes will restart an additional 5-minute delay period.

**Entry will not respond to a single keystroke during delay period.**