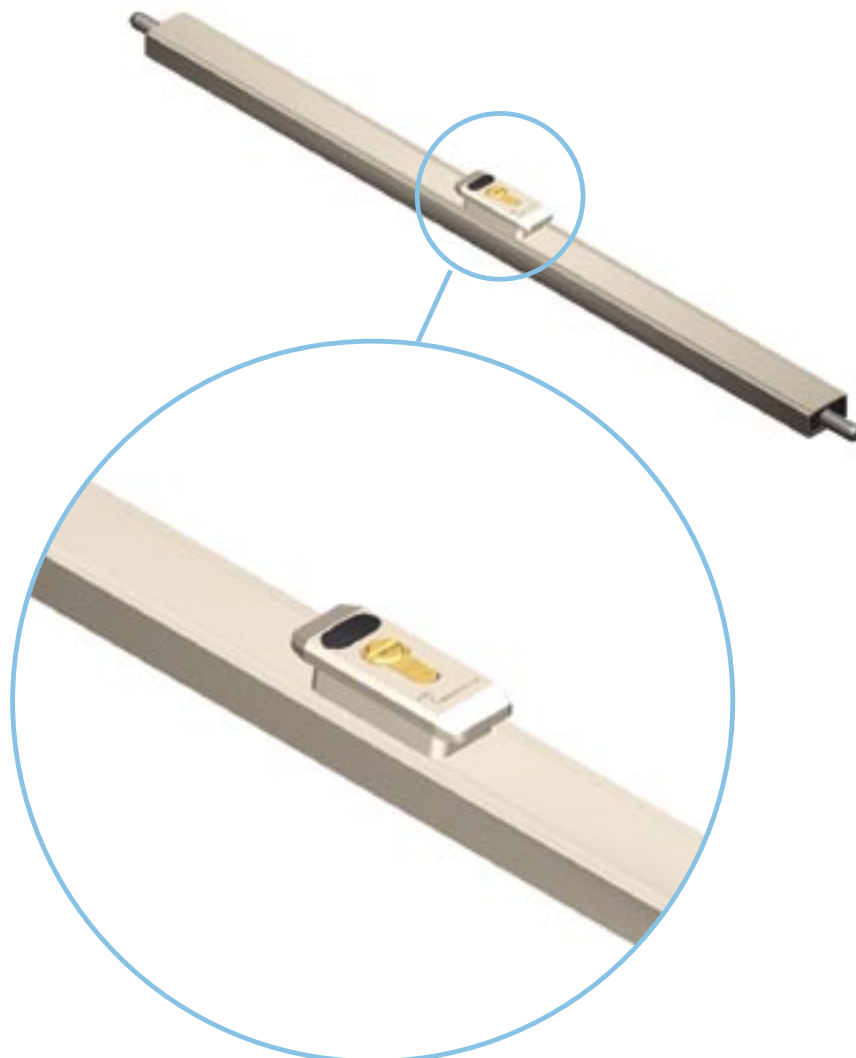




500 series

# 500 series lock

“One lock endless possibilities”



An ASSA ABLOY Group Company

CAT NO.24501080/A

# 500 series lock

## Ordering information

**Lock type**

R Regular Lock

H Lock for existing handle

C Lock with Opening for existing handle & cylinder (Euro profile)

R	X	L	-	E	-	Y	-	T
---	---	---	---	---	---	---	---	---

**X - Lock colour**

W White

B Black

M Brown

**L-Lock Total length (mm)**

See table of available length in lock pages

**E-Backset Distance between bottom to centre of cylinder plug**

See table of available length in lock pages

**Y-Distance between lock opening for existing handle to lock cylinder**

See table of available length in relevant lock pages

**T-Distance between lock opening for existing handle to lock opening for existing cylinder**

See table of available length in relevant lock pages



# 500-R series lock

## Application

Rim lock (2-point locking). Suitable for residential and commercial Locking solutions such as: doors (metal/wood) , windows, rolling shutters, garage doors, patio doors cabinets etc.

## Operation

Suitable for Mul-T-Lock® Euro profile cylinder .  
Pat. Pending adjustable mechanism between two option of

bolt extension 35/95. 360°/720 key rotation for dead bolt action

## Options

Available in various length, color and different backsets

## Available Finishes

Available in White, Brown and black epoxy painting. Accessories finish is according to lock colour.

## Materials

Profile: Aluminium alloy.  
Bolts: Steel.

#	Ordering Code	L	E	Bolt Stroke
1*	500RX750-500	750*	500*	35/95*
2	500RX800-400	800	400	35/95
3	500RX1000-500	1000	500	35/95
4	500RX1200-500	1200	500	35/95
5	500RX2250-1100	2250	1100	35/95
6	500RX2500-1100	2500	1100	35/95
7	500RX3000-1100	3000	1100	35/95
8	500RX3000-1500	3000	1500	35/95

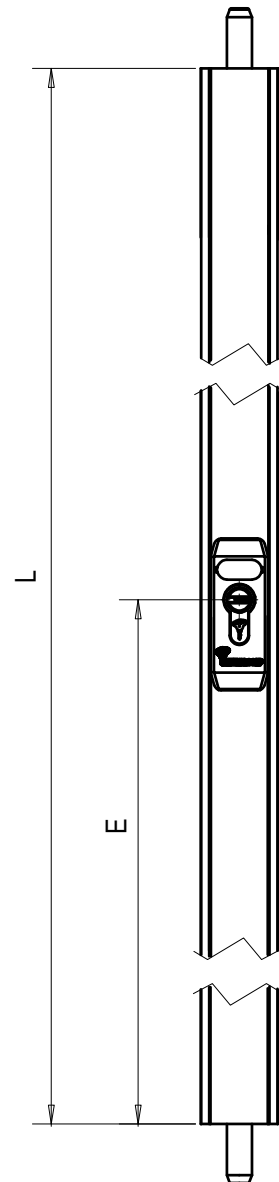
\*ONE BOLT ONLY

**Note: X represent lock colour you have to replace it with one of the following:**

**W** White

**B** Black

**M** Brown



An ASSA ABLOY Group Company

Mul-T-Lock Technologies Ltd. [www.mul-t-lock.com](http://www.mul-t-lock.com) © 2003  
The Mul-T-Lock name and the Muscleman Logo, and any other name, mark or logo used by Mul-T-Lock and marked by an © or a ™ sign, are registered/pending trademarks of Mul-T-Lock Ltd. in various countries. Mul-T-Lock reserves the right to make any product improvements or modifications without prior notice.

# 500-H series lock

## Application

Rim lock (2-point locking). Suitable for residential and commercial Locking solutions such as: doors (metal/wood) , windows, rolling shutters, garage doors, patio doors etc.

## Operation

Equipped with Mul-T-Lock® Euro profile cylinder.  
Pat. Pending adjustable mechanism between two option of

bolt extension 35/95. 360°/720 key rotation for dead bolt action

## Options

Available in various length, color and different backsets

## Available Finishes

Available in White, Brown and black epoxy painting. Accessories finish is according to lock colour.

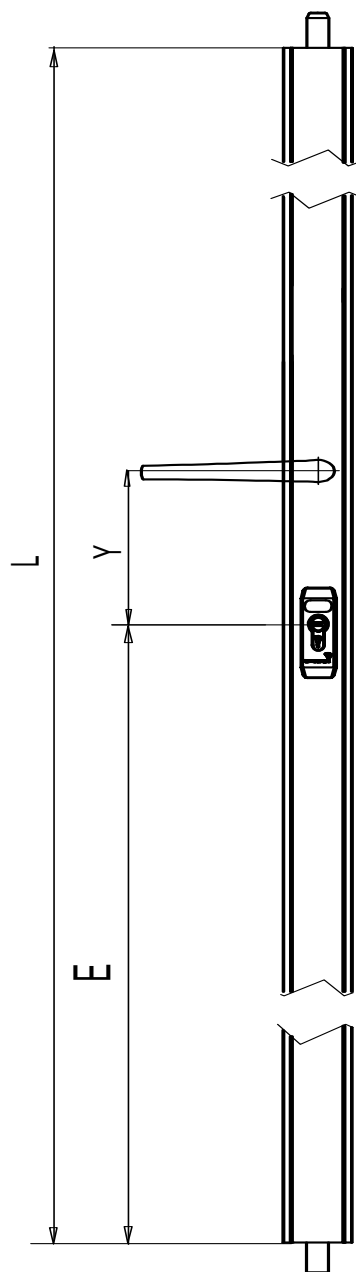
## Materials

Profile: Aluminium alloy.  
Bolts: Steel.

#	Ordering code	L	E	Y	Bolt Stroke
1	500HX1200-339-161	1200	339	161	35
2	500HX2500-860-240	2500	860	240	35/95
3	500HX3000-860-240	3000	860	240	35/95

**Note: X represent lock colour you have to replace it with one of the following:**

- W** White
- B** Black
- M** Brown



# 500-C series lock

## Application

Rim lock (2-point locking). Suitable for residential and commercial Locking solutions such as: doors (metal/wood) , windows, rolling shutters, garage doors, patio doors etc.

## Operation

Suitable for Mul-T-Lock® Euro profile cylinder (not included). Pat. Pending adjustable mechanism between two option of

bolt extension 35/95. 360°/720 key rotation for dead bolt action

## Options

Available in various length, color and different backsets

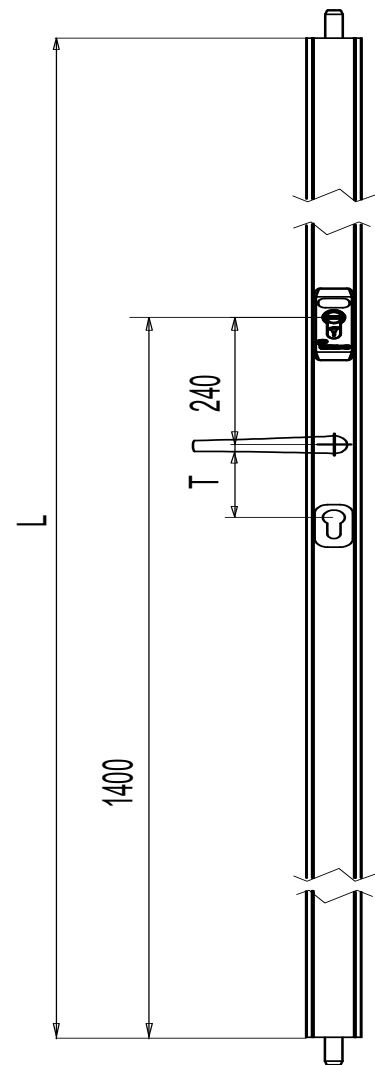
## Available Finishes

Available in White, Brown and black epoxy Accessories finish is according to lock colour.

## Materials

Profile: Aluminium alloy.  
Bolts: Steel.

#	Ordering Code	L	E	Y	T	Bolt Stroke
1	500C <del>X</del> 2250-1400-240-70/72	2250	1400	240	70/72	35/95
2	500C <del>X</del> 2250-1400-240-78	2250	1400	240	78	35/95
3	500C <del>X</del> 2250-1400-240-82/85	2250	1400	240	82/85	35/95
4	500C <del>X</del> 2250-1400-240-90/92	2250	1400	240	90/92	35/95
5	500C <del>X</del> 2250-1400-240-110	2250	1400	240	110	35/95
5	500C <del>X</del> 2500-1400-240-70/72	2500	1400	240	70/72	35/95
7	500C <del>X</del> 2500-1400-240-78	2500	1400	240	78	35/95
8	500C <del>X</del> 2500-1400-240-82/85	2500	1400	240	82/85	35/95
9	500C <del>X</del> 2500-1400-240-90/92	2500	1400	240	90/92	35/95
10	500C <del>X</del> 2500-1400-240-110	2500	1400	240	110	35/95
11	500C <del>X</del> 3000-1400-240-70/72	3000	1400	240	70/72	35/95
12	500C <del>X</del> 3000-1400-240-78	3000	1400	240	78	35/95
13	500C <del>X</del> 3000-1400-240-82/85	3000	1400	240	82/85	35/95
14	500C <del>X</del> 3000-1400-240-90/92	3000	1400	240	90/92	35/95
15	500C <del>X</del> 3000-1400-240-110	3000	1400	240	110	35/95

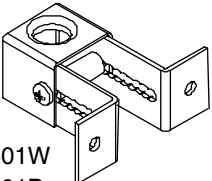
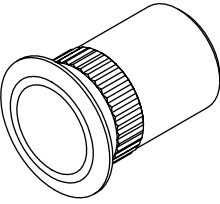
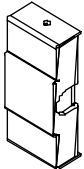
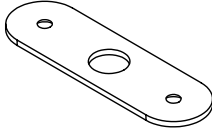
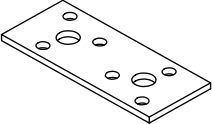
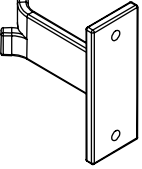
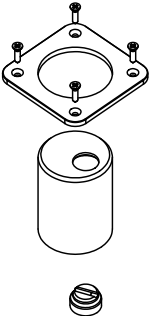
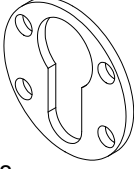


**Note: X represent lock colour you have to replace it with one of the following:**

**W** White  
**B** Black  
**M** Brown

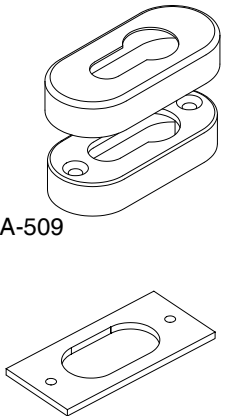
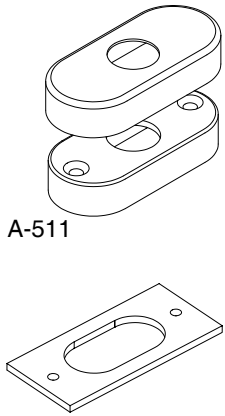
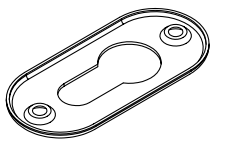
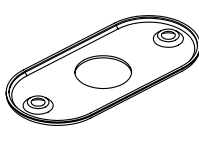
# 500 series lock

## Accessories available

Strikes			Strikes		
#	Description		#	Description	
1	Adjustable top device for vertical installation	 A-501W A-501B A-501M	4	Floor sleeve for vertical installation	 A-502
2	Strike for Horizontal installation	 A-503W A-503B A-503M	5	Flat strike Horizontal installation	 A-504
3	Spacer for Horizontal strike	 A-505A-1mm A-505B-3mm A-505C-5mm	6	Base for wall installation (concrete)	 A-506
Accessories for double cylinder			Accessories for double cylinder		
1	Screws	 A-507	3	Spacer for cylinder protector 2.5mm P/N 70002040	 A-508
2	External escutcheon Nickel satin finish				
3	External cylinder protector Nickel satin finish				
4	Anti drilling rotating disk				

# 500 series lock

Accessories available

Cylinder accessories for C&H type			Handles accessories for C&H type		
#	Description		#	Description	
1	cylinder cover Kit : Internal cylinder cover Euro profile type I. Cylinder cover counter mounting plate. screws included.	 <p>A-509</p>	3	Handle cover Kit: cover type I Handle. cover counter mounting plate. screws included.	 <p>A-511</p>
2	Internal cylinder cover Euro profile type II	 <p>A-510</p>	4	Handle cover type II	 <p>A-512</p>

# 500 series lock

## Euro Profile Cylinder specification



### Operation

360°/720 key rotation for dead bolt action. Standard double cylinder, full key insertion disengages other side.

### Materials

Body and plug: Brass.

Cogwheel: Steel.

Pins: Nickel Silver & Stainless Steel.

### Available Finishes

Electro plated Brass (EB), Nickel satin (NS).

### Cylinder Mechanism

Mul-T-Lock® unique, high precision

10 telescopic pin tumbler system.

Pick and drill resistant for high security needs.

### Keys

Reversible Nickel Silver key with plastic key head and coloured insert. Also available in all-Nickel Silver.

### Key Security

Orders for keys marked "do not duplicate" should only be made upon presentation of a key card.

### Cylinder Options

Classic,  (patented).

'3 IN 1' (changeable combination).

Keyed different, Keyed alike,

Master keyed.

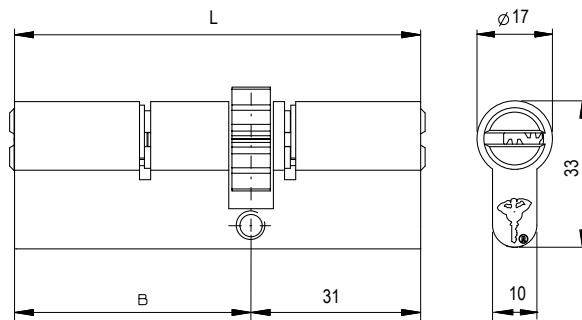
Emergency' cylinder with both sides permanently operational.

### Standards

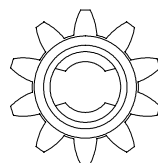
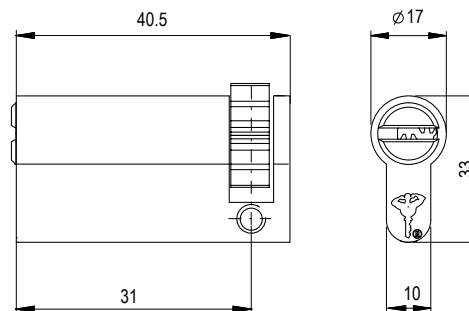
ISI 950, by special order can be made comply to:

DIN, VDS, SKG, CEN, UL437, A2P.

### Double Cylinder

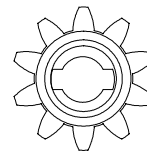


### Single Cylinder



P/N 8000461

For cylinder with  
tumbturn



P/N 80001081

For regular  
cylinder

# 500 series lock

## Euro Profile Cylinder Ordering Information

Single	40.5	-----	-----	X	X	X	X	X	X	X	X	X
Double	L	31	X	X	X	X	X	X	X	X	X	X
Example	76	31T	45	2 0 6 B				5	P	E3	KM	EB
	L	31	E	Profile				Q	K	S	OP	F

**Cylinder total length (mm)** \_\_\_\_\_

**Cylinder internal side-B Constant (mm)**  
31- regular, 31t- tumbturn. \_\_\_\_\_

**E-Cylinder external length (mm)**  
According to table in the next page \_\_\_\_\_

**4 digits that determine the profile** \_\_\_\_\_

**Q-Keys quantity** \_\_\_\_\_

**K-Keys type**  
P - plastic head  
M- metal head \_\_\_\_\_

**S- Special options**  
3 = 3 IN 1'  
E - Emergency' cylinder  
E3 - Emergency+3 IN 1 \_\_\_\_\_

**OP-Cylinder options**  
KM - Master keyed  
KA - Keyed alike  
KD -Keyed diffrent \_\_\_\_\_

**F-Cylinder finish**  
EB Electro plated Brass  
NS Nikel satin \_\_\_\_\_

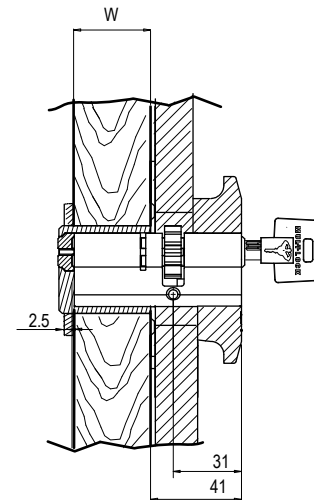


# 500 series lock Cylinder order information

Euro Profile Cylinder lengths available for  
500 series

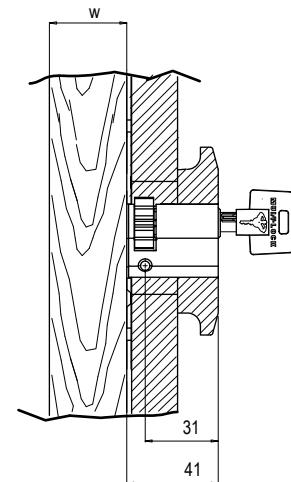
## Double Cylinder

W Door thickens	Cylinder Dimensions			Cylinder Protector
	B Internal side	E External side	L Total cyliner length	Spacers Quantity (2.5 mm)
35	31	45	76	0
40	31	50	81	2
45	31	55	86	4
50	31	60	91	6
55	31	65	96	8
60	31	70	101	10
65	31	75	106	12
70	31	80	111	14
75	31	85	116	16
80	31	90	121	18
85	31	95	126	20
90	31	100	131	22



## Single Cylinder

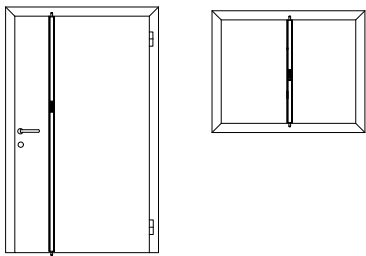
For single cylinder Only one length needed 40.5



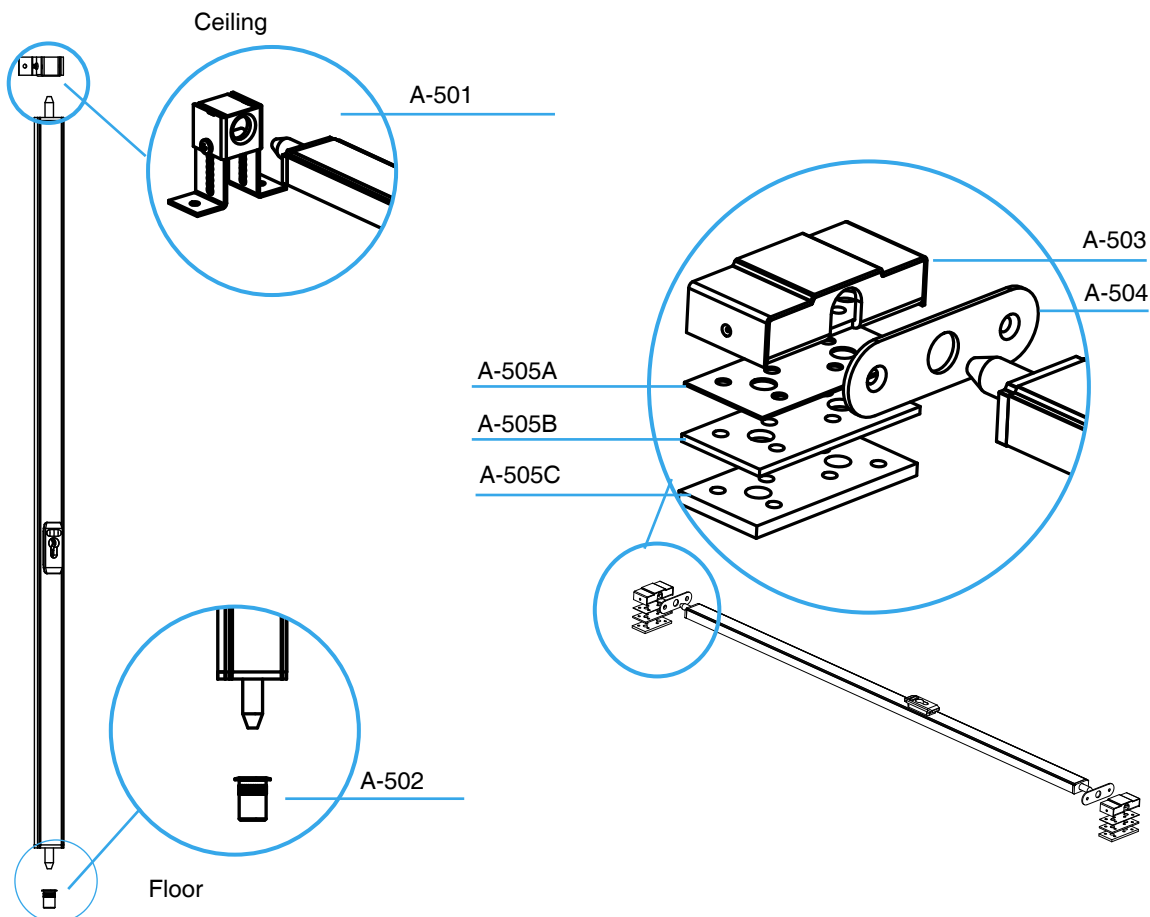
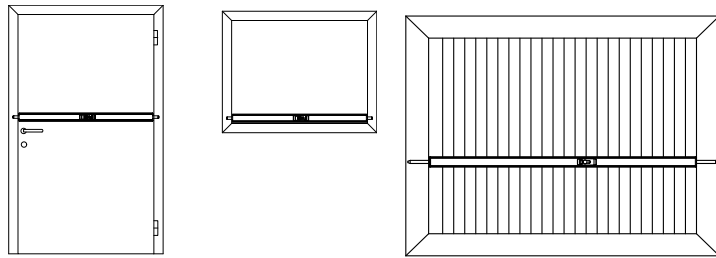
NOTE: All lengths from 40 mm and above use standard plugs and additional spacers in order to get the required length.

# 500 series lock

## Vertical installation



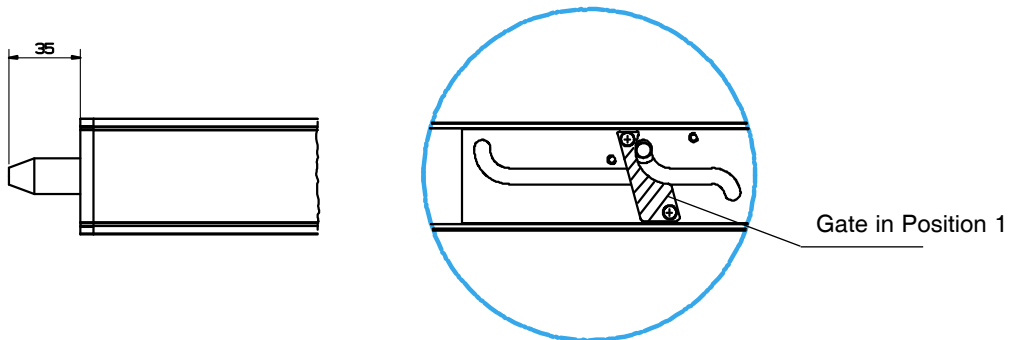
## Horizontal installation



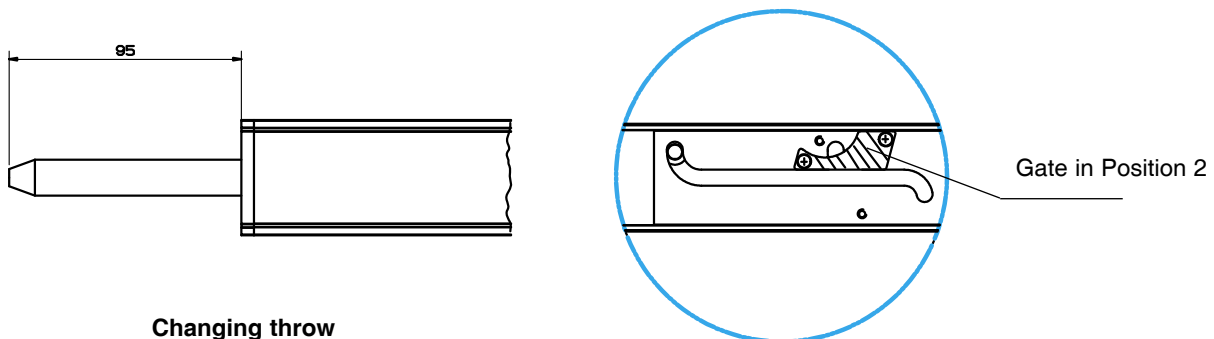
# 500 series lock

## Bolt adjustment

### Bolt Short Throw 35mm Requires one key rotation (360°) Default assembly



### Bolt Long Throw 95mm Requires double key rotation (720°)



#### Changing throw

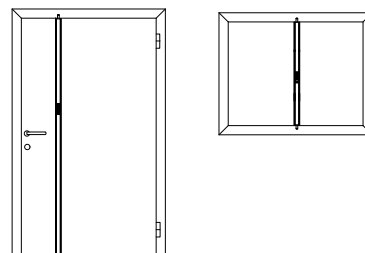
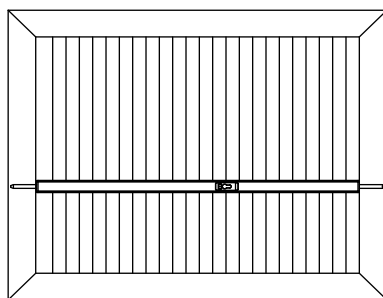
- Unscrew two M3 screws
- Remove gate from current position
- Relocate gate to other position & fasten the screws

# 500 series lock

## Instruction for installation

MUL-T-LOCK 500 is a multi purpose highly efficient added security, for an endless list of different applications; basically any moving object can be locked to its frame with the one of the lock model, and the variety of its accessories.

Follow previous pages for ordering instructions, and selection of accessories.



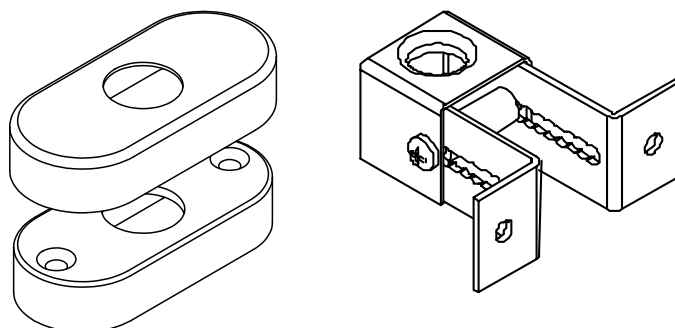
### TOOLS NEEDED FOR INSTALLATION

Power drill, and drill bits, Hacksaw,  
Screwdrivers, Metal files  
Allen key (wrench) 2,5 & 3 mm

### ACCESSORIES

Pick the accessories required for your type of installation, according to the list in pages 60 & 70 of this product manual.

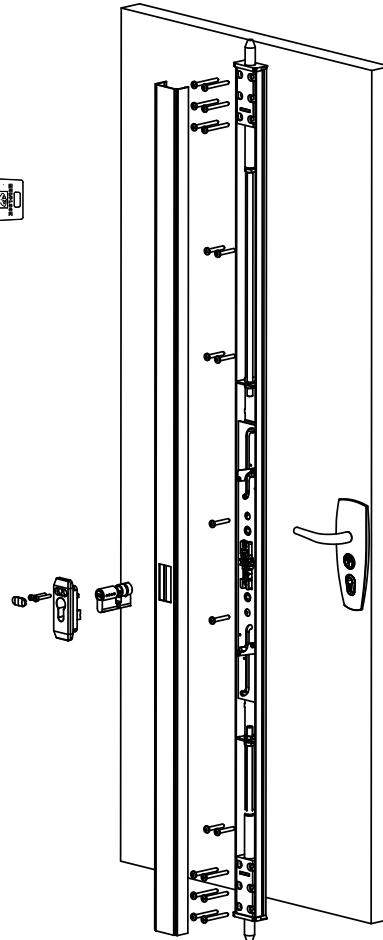
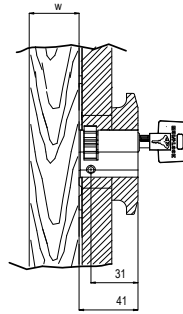
Attention! All type of strike supplied separately! Make sure you have the ones that suite your installation.



# 500 series lock

## Instruction for installation

Measure the over all length of the installation location, and adjust the length of the lock accordingly. It is recommended that the length of the lock will be 10 mm less than the object (door, window... etc') you are installing it on, to allow a 5 mm clearance on each end. The lock can be cut down to any size down to 800 mm, it is recommended to get the lock of a size as close as possible to the desired size. This will also save you some money, as well as installation time.



### 3.1 Single side installation

When the lock is installed without an outside cylinder, installation is as simple as hanging a picture!

#### A.

Remove the inside cover, and position the lock over the door so it does not interfere with the operation and movement of the door.

#### B.

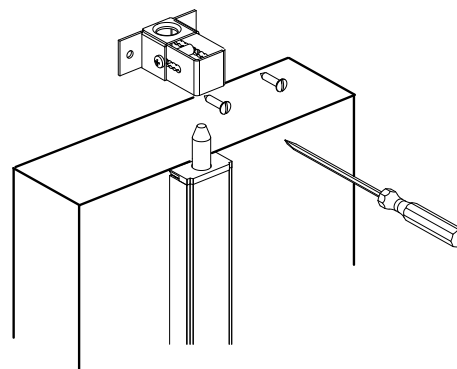
Make sure the lock is plumb, and secure it with one screw, on every end.

#### C.

Confirm proper operation of the lock, mount the remaining screws, and replace the inside cover

#### D.

Mount the suitable strike plate



# 500 series lock

## 3.2 Double sided installation

### A.

Mark location of cylinder hole, and drill a 40 mm hole for the cylinder protector using a hole saw.

### B.

Remove the inside cover, assemble the cylinder protector & cylinder,

### C.

Drive the cylinder protector through the opening, until the lock body seats flush on the door, and make sure it does not interfere with the operation and free movement of the door.

### D.

Make sure the lock is plumb, and secure it with one screw, on every end.

### E.

Confirm proper operation of the lock, mount the remaining screws, and replace the cover.

### F.

Mount and adjust the strike.

